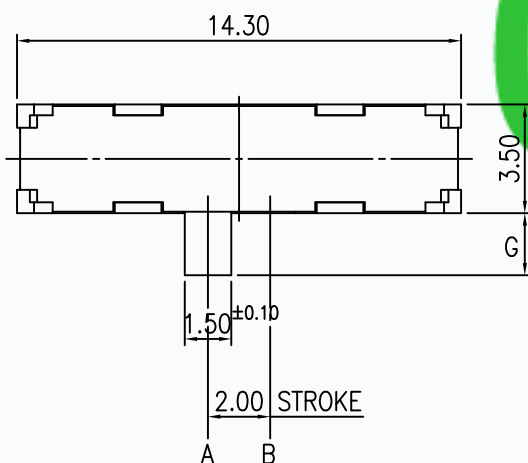
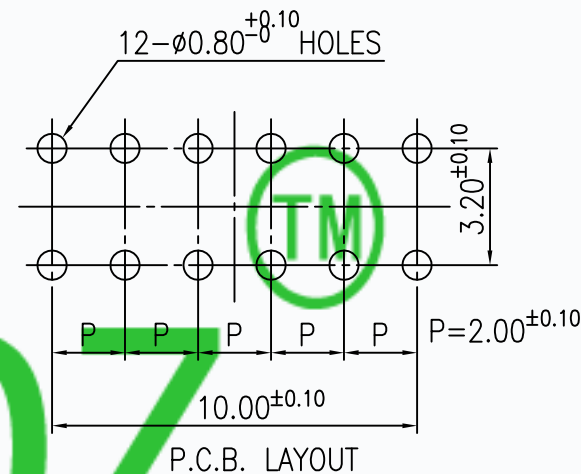
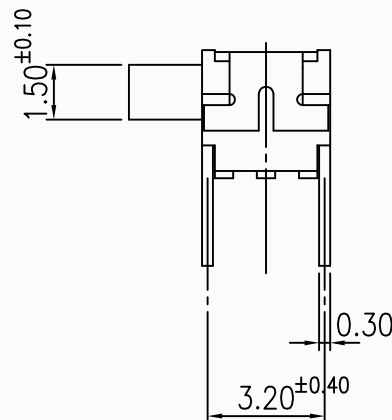
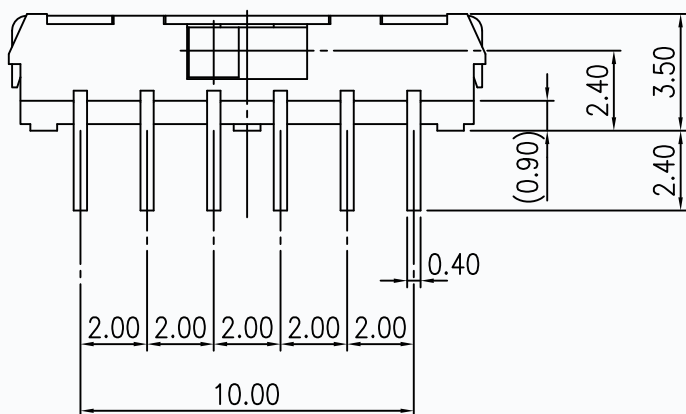
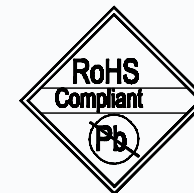
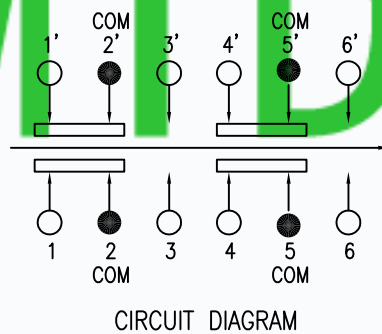


CAD FILE:

MODEL NO.	KNOB(G)
T1-2268D-G	<2~5>mm



CMTDDZ



SPECIFICATIONS	
Rating	0.3A 6V DC
Insulation Resistance	> 100 MΩ
Dielectric Withstanding Voltage	500V 0.5mA/min
Contact Resistance	< 70 mΩ
Operating Force	200gf ± 50gf
Operating Life	10,000 cycles

NO.	PARTS	MATERIALS	Q'TY	FINISH
8				
7				
6				
5	CLIP	BEUCU	4	Ag PLATED
4	TERMINAL	PHOSPHOR BRONZE	12	Ag PLATED
3	CASE	PA46	1	BLACK
2	COVER	SUS	1	Nature
1	SLIDER	PA46	1	BLACK

TOLERANCE UNLESS SPECIFIED					
WITHIN 1.5mm	: ±0.1mm	A	2014-8-31	TIANDU ELECTRONICS	
OVER 1.5mm	: ±0.2mm	ISSUE	DATE	DESCRIPTIONS OF REVISION	APPD.
TITLE : MINI SLIDE SWITCH			UNIT : mm	DRWG NO.:CMTDDZ-T1-2268D-00	
MODEL: T1-2268D-G			SCALE:3:1	DWN.	ERIC 2014-9-17
CMTDDZ 东莞市田都电子有限公司 DONGGUAN TIANDU ELECTRONICS CO.,LTD.				CHK'D	MAIKO 2014-9-17
				APPD	Coco 2014-9-17