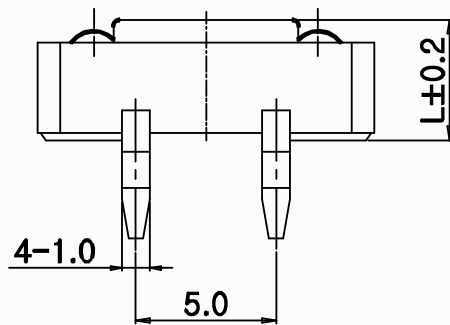
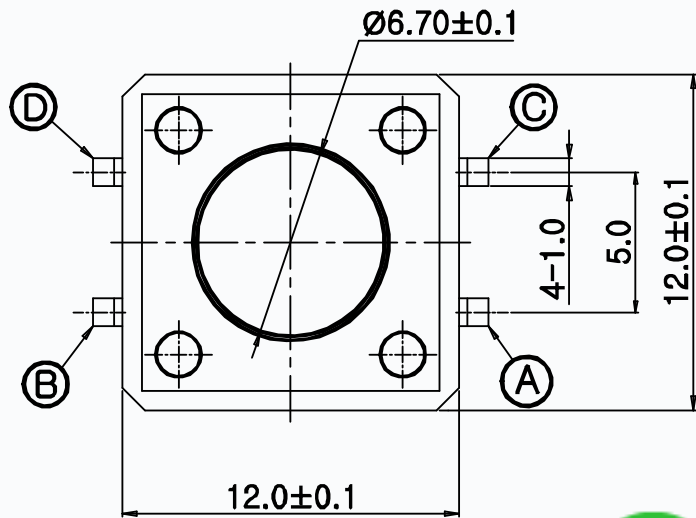
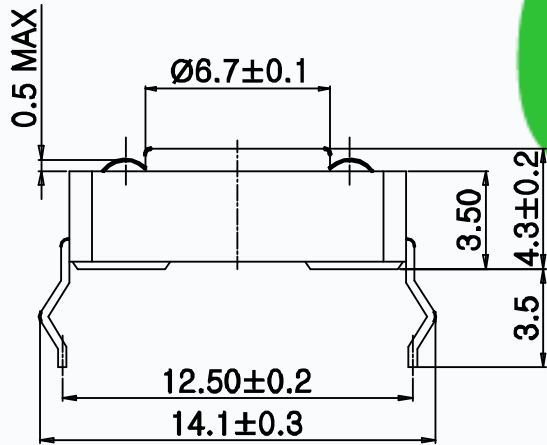
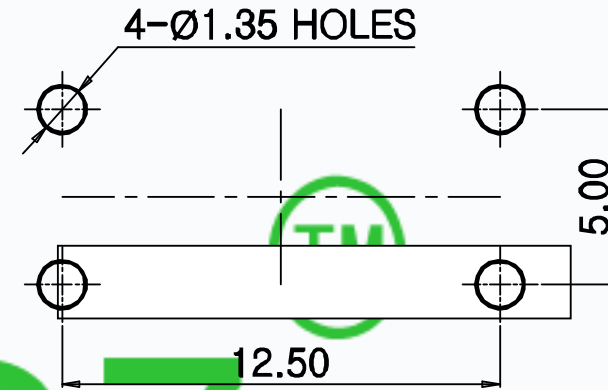


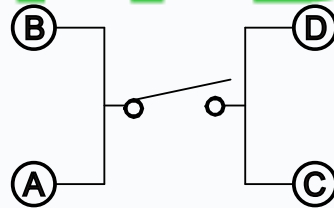
CAD FILE:



MODEL NO.	XX
T6-1212D-XX	12=120gf
	18=180gf
	25=250gf



CMTDDZ



CIRCUIT DIAGRAM

P.C.B. LAND PATTERN

SPECIFICATIONS	
Rating	50mA 12V DC
Travel	0.3±0.1mm
Contact Resistance	≤ 100 mΩ
Operating temperature	-20℃ ~ 70℃(45% ~ 85% RH)
Operating Force	100±30gf/180±50gf/250±50gf
Operating Life	100,000 Cycles

NO.	PARTS	MATERIALS	Q'TY	FINISH	TOLERANCE UNLESS SPECIFIED WITHIN 1.5mm : ±0.1mm OVER 1.5mm : ±0.2mm	THESE DRAWINGS AND SPECIFICATIONS ARE THE PROPERTY OF DONGGUAN TIANDU ELECTRONICS CO.,LTD. AND SHALL NOT BE REPRODUCED, COPIED OR USED IN ANY MANNER WITHOUT THE PRIOR WRITTEN CONSENT OF DONGGUAN TIANDU ELECTRONICS CO., LTD	DESCRIPTIONS OF REVISION	APPD.	
8									
7									
6									
5	COVER	SPCC	1	PLATING NICKEL					
4	KEYSTOKE	NYLON	1	BLACK/WHITE					
3	TERMINAL	BRASS	4	SILVERING					
2	CONTACT	SUS	1	Ag CLAD					
1	BASE	NYLON	1	BLACK					
					TITLE : TACT SWITCH	UNIT : mm	DRWG NO.: CMTDDZ-T6-1212D-00		
					MODEL: T6-1212D-XX	SCALE: 3:1	DWN.	ERIC	2013-6-17
					CMTDDZ 东莞市田都电子有限公司 DONGGUAN TIANDU ELECTRONICS CO.,LTD.	CHK'D	MAIKO	2013-6-17	
						APPD.	Coco	2013-6-17	